



EUROPEAN BRIDGE LEAGUE

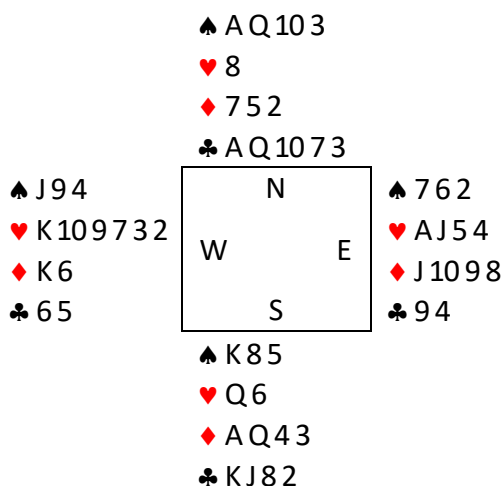


13<sup>th</sup> EBL/WBF Max Bavin Tournament Directors Course  
27<sup>th</sup> to 30<sup>th</sup> of November 2025  
Warsaw, Poland

Final Test



Q1.



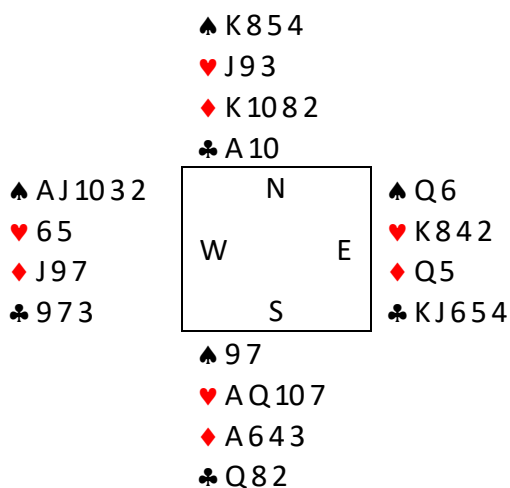
Teams, South played 5♣.

West led a heart to the Ace. Declarer took ♦J switched to the ♦A, ruffed a heart, drew trumps, cashed 4 spade tricks and played a diamond to the ♦Q and the ♦K. West was endplayed. 11 tricks.

West called the TD and reported a revoke. The TD found out that while drawing four spade tricks, declarer played from his hand: spade-spade-club(!)-spade.

How many tricks will you assign for declarer?

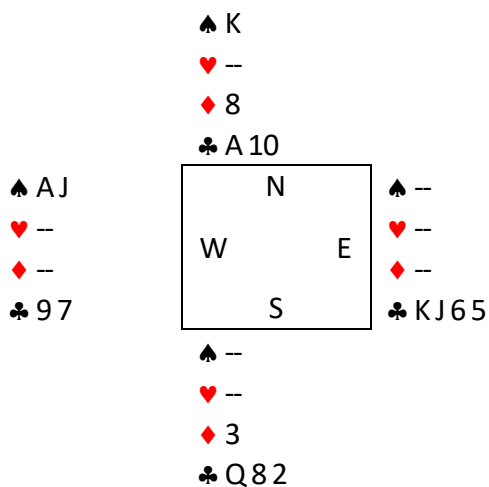
Q2.



Teams, South played 3NT

West led ♠10 (Journalist) and took the trick. He played another spade to the Queen. East continued with a small heart, which ran to the 9. Declarer cashed all hearts (with the finesse) – West discarded a spade and a club, dummy a spade.

Declarer played a diamond to the ♦10 and ♦Q. A diamond switch declarer took in hand and cashed all the diamond winners ending in dummy.



The last diamond was played in the ending (see the diagram on the left).

At that point, West thought for about a minute before eventually pitching the ♠J. Declarer played a spade hoping to endplay West and went one down.

What will the TD decide?



Q3.

South ♠ A 5  
Both ♥ J 10 6 3 2  
♦ K 5 3  
♣ K 3 2

	N	
W		E
	S	

♠ K Q J 10 3 2  
♥ 9 8 7  
♦ Q 2  
♣ A J

♠ –  
♥ K Q 5  
♦ A J 10 9 8 6 4  
♣ 8 7 5

♠ 9 8 7 6 4  
♥ A 4  
♦ 7  
♣ Q 10 9 6 4

	W	N	E	S
				pass
1♦		pass	1♠	pass
2♦		pass	3♣*	pass
3♦		pass	3NT	All pass

3♣ was alerted by East. When North asked, East explained “new minor forcing”. The discussion continued:

“Natural?”, “Yes, generally”.

“But, if you don’t stop hearts, the clubs can be shorter?”

“Yes, they can”.

West didn’t alert 3♣. South didn’t ask and led ♦7. North took the trick and tried spades. 11 tricks.

NS called the TD. South explained that he didn’t lead a club because he expected natural clubs in hand. “West didn’t alert 3♣, which was not even semi-natural; it only showed a stopper”.

EW state they play natural 3♣, but they don’t have system notes.

What will the TD decide?

Q4.

West plays 3NT after an uncontested auction (1NT-3NT).

♠ QJ  
♥ 8 5 3 2  
♦ A 8 5  
♣ A K Q 3

	N	
W		E
	S	

♠ A 10 4  
♥ A 6 4  
♦ K J 3  
♣ 8 6 4 2

Declarer ducked a heart lead twice (North had ♥KQJ109), cashed ♣AK and played ♠Q with the intention of taking the finesse. North played ♣10 and immediately said, “I’m sorry, can I correct my play?”

Declarer took a moment to analyse the position. He knew that the revoke hadn’t been established, and the penalty card ♣10 wouldn’t help him in play. That’s why he eventually allowed North to replace his card. North took back ♣10 and discarded ♦2(!). The full hand:

♠ –  
♥ K Q J 10 9  
♦ 9 6 4 2  
♣ J 10 9 7

	N	
W		E
	S	

♠ A 10 4  
♥ A 6 4  
♦ K J 3  
♣ 8 6 4 2

♠ K 9 8 7 6 5 3 2  
♥ 7  
♦ Q 10 7  
♣ 5

♠ QJ  
♥ 8 5 3 2  
♦ A 8 5  
♣ A K Q 3

Declarer called the TD and explained he understood that North wanted to correct a revoke, and this was his only reason for allowing him to replace the card. North said he didn’t want to correct a revoke, he wanted to correct his play. He thought declarer played ♣Q.

A. What will the TD decide at the table?

B. Is there anything to do when the board is played?



Q5.

♠ –  
 ♥ J 10  
 ♦ –  
 ♣ K Q 5

	N	
W		E
	S	

♠ J 3 2  
 ♥ –  
 ♦ 7  
 ♣ 3

♠ 7 6  
 ♥ A 2  
 ♦ 5  
 ♣ –

♠ –  
 ♥ 9 7  
 ♦ Q  
 ♣ 8 2

Teams, South played 4♥ and had already lost two tricks. In the ending (on the left), declarer played a heart from his hand and claimed the remaining tricks.

East showed his cards and said, “One more trick for us”. The TD is called.

What will the TD decide?

Q6.

East/EW

♠ A Q 5 4  
 ♥ K J 6  
 ♦ K J 10 5  
 ♣ J 10

	N	
W		E
	S	

♠ K  
 ♥ A 7 5  
 ♦ 9 8 4 3  
 ♣ K Q 8 6 5

♠ 10 7 2  
 ♥ Q 10 9 8 3 2  
 ♦ Q 2  
 ♣ 9 7

♠ J 9 8 6 3  
 ♥ 4  
 ♦ A 7 6  
 ♣ A 4 3 2

Teams, screens in use

	W	N	E	S
			pass	pass
	1♣	DBL	2♥ <sup>(A)</sup>	2♠
	pass	3♠	All pass	

2♥: E→N: natural, W→S: 5♠-4♥, 6-9

Lead: ♦4, 10 tricks

West did not alert 2♥, but after some time he explained that without the double, 2♥ shows 5♠-4♥, and recently they made the agreement that after the double, they play the same. The TD was called, but it was too late to change 2♠.

The TD was called again after the board, when South discovered that 2♥ was explained to his partner as “natural”. South said that he passed 3♠ because he was afraid of trump split 5-0. Knowing East is weak with hearts, he has an easy game to bid. South made a point that West corrected his explanation at an illegal moment. He should have waited till the end of the board, and in this case, he would also have bid the game.

The TD examined the EW Convention Card, which stated that 2♥ shows 5♠-4♥.

What will the TD decide?



Q7.

<p>♠ 2 ♥ A843 ♦ AKQ2 ♣ J653</p>	<table border="0"> <tr><td></td><td>N</td><td></td></tr> <tr><td>W</td><td></td><td>E</td></tr> <tr><td></td><td>S</td><td></td></tr> </table>		N		W		E		S		<p>♠ 84 ♥ J92 ♦ J1096 ♣ Q974</p>
	N										
W		E									
	S										
<p>♠ KQ10763 ♥ 765 ♦ 83 ♣ 82</p>											

South played 4♠. West led ♦AKQ ruffed in hand. Declarer drew trumps and played a heart to the Queen, entered the hand with a spade and played another heart. When West produced a small heart, he played ♥10, followed by ♦J from East. Declarer claimed 10 tricks.

West looked at his cards and asked his partner why he hadn't played ♥J.

What will the TD decide?

Q8.

<p>♠ J732 ♥ J1053 ♦ KQ10 ♣ 75</p>	<table border="0"> <tr><td></td><td>N</td><td></td></tr> <tr><td>W</td><td></td><td>E</td></tr> <tr><td></td><td>S</td><td></td></tr> </table>		N		W		E		S		<p>♠ A10864 ♥ A7 ♦ 985 ♣ 964</p>
	N										
W		E									
	S										
<p>♠ 95 ♥ K2 ♦ A732 ♣ AKQ32</p>											
<p>♠ 7 ♥ J10 ♦ KQ10 ♣ 7</p>	<table border="0"> <tr><td></td><td>N</td><td></td></tr> <tr><td>W</td><td></td><td>E</td></tr> <tr><td></td><td>S</td><td></td></tr> </table>		N		W		E		S		<p>♠ 108 ♥ -- ♦ 985 ♣ 64</p>
	N										
W		E									
	S										
<p>♠ -- ♥ Q9 ♦ J64 ♣ 108</p> <p>♠ -- ♥ -- ♦ A73 ♣ AKQ3</p>											

Pairs, North plays 4♥x.

East led ♠A and a small spade to the King.

Declarer played a heart to the King and a small heart to the Ace.

East played another spade that was ruffed in hand (a diamond from dummy).

♣J was played.

In the ending (on the left), declarer played ♣10, bent his hand halfway, and said, "You're gonna take one heart".

East started looking at the hand, but as the end of the round was announced, North played another club. EW followed to the ♣10, but West ruffed the next club trick and played a small spade.

Declarer ruffed, cashed the last trump, and dummy was good. 10 tricks were entered into Bridgematic.

Before starting the bidding in the first board of the next round, EW came to the TD later. They feel damaged because they hadn't found a proper defence under the declarer's pressure.

What will the TD decide?



Q9.

South/Both

♠ 3 2  
♥ J 9 5 3  
♦ 10 8 6 4 3  
♣ 7 6

♠ 9  
♥ Q 10 8 7 6 2  
♦ A K 9  
♣ A 10 9

	N	
W		E
	S	

♠ AK 10 7 5 4  
♥ K  
♦ Q 7 5  
♣ 5 4 3

♠ QJ 8 6  
♥ A 4  
♦ J 2  
♣ KQJ 8 2

Teams with screens

W	N	E	S
			1NT
2♦	pass	2♠	pass
4♥	pass	pass	4♠
DBL	All pass		

1NT: 13-15  
 2♦: one major  
 2♠: E→N: no alert, natural,  
 W→S: hearts better than spades

Having information that East has fewer spades than hearts, South decided to sacrifice 4♠, expecting to set no more than three, but was beaten by six tricks doubled. South complained that if he had known 2♠ showed spade suit, he would have never bid 4♠.

The TD found no remark about 2♠ in EW's system notes.

Q10.

West/All

♠ --  
♥ J 8 7 4 2  
♦ A J 9 8 5  
♣ 10 5 3

♠ KJ 10 9(5) 2  
♥ 9 3  
♦ K 3  
♣ 9 7 4 2

	N	
W		E
	S	

♠ A 8 7 4 3  
♥ 10 6 5  
♦ Q 10 6  
♣ QJ

♠ Q 6 5  
♥ A K Q  
♦ 7 4 3  
♣ A K 8 6

Teams.

Before the opening, South noticed a card on the table in front of his screenmate. West took the card to his hand and started bidding. But it was ♠5 from the previous board, so West played the hand with 14 cards.

The bidding went:

W	N	E	S
2♦	pass	3♥	3NT
All pass			

2♦: Multi  
 3♥: pass or correct, preemptive

After a spade lead, EW cashed 6 spades and opened diamonds. When ♣QJ dropped, declarer claimed 7 tricks. After the play declarer noticed that West played with 14 cards and called the TD.

The TD checked that on the other table, NS took 11 tricks for the 4♥ contract, after an auction:

W	N	E	S
pass	pass	pass	1♣
1♠	DBL	3♠	DBL
pass	4♥	All pass	

What will the TD decide?



Q11.

Teams ♠ J 10  
 North, Both ♥ K Q  
 ♦ A K Q 10 7 6 5  
 ♣ 6 2

	N	
W		E
	S	

♠ 7 4 2      ♠ 8 6 5  
 ♥ J 8 5 3 2      ♥ A 9  
 ♦ 8      ♦ J 9 4 3 2  
 ♣ A 10 7 4      ♣ K J 8

♠ A K Q 9 3  
 ♥ 10 7 6 4  
 ♦ —  
 ♣ Q 9 5 3

W	N	E	S
	1NT	pass	2♥
pass	2♠	pass	3♥
pass	3NT	All pass	

1NT = 15-17 (!)

Consider two scenarios:

- A. East led ♦ 9 (2<sup>nd</sup>/4<sup>th</sup>).
- B. East led ♦ 3 (2<sup>nd</sup>/4<sup>th</sup>).

In both, declarer took the first trick with the ♦ 10 and claimed 12 tricks (diamonds and spades). East objected. What will the TD decide in both situations?

Q12.

West/Both ♠ A 9 3  
 ♥ K 4 3  
 ♦ Q J 3 2  
 ♣ 10 7 5

	N	
W		E
	S	

♠ Q J 8 4      ♠ K 10 6 5  
 ♥ Q J 10 2      ♥ A 9 7 5  
 ♦ 10 9      ♦ K 4  
 ♣ J 8 2      ♣ A 6 3

♠ 7 2  
 ♥ 8 6  
 ♦ A 8 7 6 5  
 ♣ K Q 9 4

Pairs, screens in use.

W	N	E	S
pass	pass	1♣	1♦
pass	2♣	pass	2♦
DBL	All pass		

1♣: 3+

2♣: cue-bid

Table result: 2♦x, 8 tricks

2♣ showed a good hand and diamond fit. South alerted, and West asked before his bid. North didn't alert, and East interpreted his partner's double as a trap pass.

North said that in his country, a cue bid in an opponent's suit is not alertable. EW pointed out that a minor opening does not promise a long suit, and there are many different agreements. Some players play natural, some others cue bid.

What will the TD decide?



## Q13.

West/Both	♠ A 9 4 3			
	♥ A 9 7 5 3			
	♦ –			
	♣ A 7 5 4			
♠ 8		N		♠ J 10 2
♥ K 8 4		W	E	♥ J 6
♦ K J 8 7 4 2		S		♦ A Q 10 9 6 3
♣ 9 6 2				♣ 10 8
	♠ K Q 7 6 5			
	♥ Q 10 2			
	♦ 5			
	♣ K Q J 3			

Pairs, screens in use.

W	N	E	S
pass	1 ♥	pass	1 ♠
pass	2 ♠	pass	3 ♥
pass	... 4 ♠	pass	4NT
pass	5 ♦	pass	6 ♠
All pass			

3 ♥: game try

Table result: 6 ♠, 12 tricks.

West called the TD before he led. He reported that the tray with 4 ♠ was very slow, at least 40 seconds. After the play, West called the TD again and said that South's bidding after the hesitation is far from normal.

South explained that he made the wrong bid because 3 ♥ is only invitational. When the partner accepted the game try, he thought a slam might be made.

## Q14.

In a team event, Team A (home team) plays against Team B (away team). In the Closed Room, a player of Team A, sitting in the East position, looked at the cards of his opponent. The TD cancelled the board.

The result in Open Room was 3 ♣-300 by West (Team A playing NS scored +300).

The results at the other tables playing the same board were:

- NS 2 ♠ =, +110, three times
- NS 2 ♠ +1, +140 six times
- EW 3 ♣ -3, +300 two times
- EW 3 ♣ -4, +400 one time

A. Assuming the TD was right in cancelling the board, what result do you award?

B. Assuming the TD was wrong in cancelling the board, what result do you award?

C. It is a KO match, and the result without that hand was Team A 32 – Team B 31: calculate the final result both in A and B.

D. Do you think the TD was right or not?



Q15.

Board 2 was played in Pairs:

NS	EW	Contract	D	T	Score		MP	
					NS	EW	NS	EW
11	16	5♥	N	=	650			
12	18	5♠x	W	-2	300			
13	20	5♠x	W	-3	500			
14	17	5♥	N	+1	680			
15	19	4♠x	W	-2	300			
21	26	5♥x	N	-1		200		
22	28	4♠x	W	-2	300			
23	30	5♥x	N	=	850			
24	27	5♥	N	=	650			
25	29	5♠x	W	-3	500			
31	36	5♣	S	+1	620			
32	38	6♣	S	-1		100		
33	40	5♥	N	+1	680			
34	37	5♥	N	=	650			
35	39	5♠x	W	-3	500			
42	46	5♥	N	+1	680			
41	48	4♠x	W	-2	300			
43	50	TD						
44	47	5♥x	N	=	850			
45	49	5♠x	W	-3	500			
51	56	5♥	N	+1	680			
52	58	6♥	N	-1		100		
53	60	5♥	N	+1	680			
54	57	5♠x	W	-3	500			
55	59	6♣	S	=	1370			
61	66	5♥	N	=	650			

The score between pairs 43 and 50 was adjusted to the weighted splitscore:

- For NS:
  - 4♠x by W, 8 tricks, +300
- For EW:
  - 50% 5♥ by N 12 tricks, +680
  - 50% 5♥ by N 11 tricks, +650

Calculate all scores in MP. What is the result of the board for the following pairs:

Pair 34: ..... MP ..... %                      Pair 37: ..... MP ..... %

Pair 43: ..... MP ..... %                      Pair 50: ..... MP ..... %



Name:..... Country:.....

P	Answer	Law(s):
1		
2		
3		
4	A. B.	
5		
6		
7		
8		



**Final Test**

13<sup>th</sup> EBL/WBF Max Bavin Tournament Directors Course, 27<sup>th</sup>-30<sup>th</sup> of November 2025

P	Answer	Law(s):
9		
10		
11	A.	
	B.	
12		
13		
14	A.	
	B.	
	C.	
	D.	
15	Pair 34: ..... MP ..... %      Pair 37: ..... MP ..... % Pair 43: ..... MP ..... %      Pair 50: ..... MP ..... %	



## Answers

1. 9 tricks, Law 64A1. Two tricks transferred. Declarer took the trick with the revoke with a club and played from the wrong hand.
2. A weighted score. Law 73E. If the ♠J is pitched in tempo, declarer has a winning choice available, but would not necessarily pick it up.
3. Score stands. Not 75B. EW play natural 3♣. East's alert concerned only the strength and was not needed. Additional information regarding the length of the club suit was enforced by North's questions. East provided more explanations based on general bridge knowledge, rather than on EW's system.
4. **A.** Continue, no penalty card, **B.** Score stands, 8 tricks. Law 10B. From declarer's perspective, there was an infraction (revoke), and he should have called the TD. From North's perspective, there was no infraction and no reason to call the TD. North asked for permission to replace his card, which is illegal, but allowed by the opponent. The TD has the right to accept it. However, if the TD will not accept it, we have another possible answer: **A.** 10 played, no penalty card, **B.** Score stands, 9 tricks.
5. One down. Law 70. It's easy to notice that East may switch to spades and beat the contract. However, if East ducks the first heart, and declarer, who forgot about ♥A, continues cashing hearts, he will be three down. Is it possible to duck? No, because East has no knowledge that his opponent forgot about ♥A, and ducking can allow the game.
6. Adjusted score, 3NT, 11 tricks. Law 75D3. There is no obligation to wait for the correction of the explanation till the end of the board. South was not misinformed, but North was. Having a correct explanation, he would have interpreted his partner's 2♠ as a cue bid and would have bid 3NT. 11 tricks after a heart lead and the safe play.
7. 10 tricks. Not Law 63a, Law 50D1. Revoke is not established. However, if the play had continued, East would have had a penalty card that should have been played in the next trick.
8. 4♥x, 9 tricks. The play after the claim is cancelled as the conditions of Law 68D2b were not fulfilled. We are getting back to the moment of declarer showing his hand. EW agreed to the claim and, as the round ended, the agreement was established (Law 69A). EW want to withdraw their agreement under the Law 69B. If there is no pressure, West needs just a quick analysis to conclude that he has to switch to ♦K after ruffing the club trick. The TD should assume that the trick would likely have been won if the play had continued.
9. Split score: 4♥-1 for EW, table result for NS. Law 75D3, Law 12C1e. South was misinformed; however, bidding 4♠ is gambling.
10. 3NT, 8 tricks, Law 13C. The score is adjusted. If there is no extra card, only 5 spades can be cashed. The other question is why not adjust to 4♥, the contract that would have likely been reached if West hadn't had ♠5. Law 13C can help you. If an extra card is found before it's played, there is no rectification. In this board, it would have been 3NT, 8 tricks.
11. **A.** 9 tricks, Law 70. After cashing three top diamonds, declarer will certainly notice the lack of ♦J and cash his tricks.  
**B.** 7 tricks. Law 70. A smart defender will discard ♦J to the Queen and will keep ♦9 to convince declarer that diamonds are good. The defenders will take a heart, a diamond and 4 clubs.



- 12.** Score stands. Not 75B. At WBF/EBL events, there is no such rule that cue bids in opponents' suits are not alertable. We should assume that 2♣ is alertable. However, the alerting policy states "... players [...] are expected to protect themselves to a large extent". The arguments presented by EW demonstrate that they were aware of a range of possible agreements. East should have protected himself.
- 13.** Result stands. Not 16B. North's hesitation is discouraging. In most cases, North would consider whether to accept the game try. There can also be a case that North would think whether to play in spades or hearts. And, eventually, not likely cases that North has an extremely good hand for 2♠ and thinks about a cue bid. Bidding a slam is far from "demonstrably suggested".
- 14.** Law 86B1, Law 82C. If you compare the result from the Open Room with all other results, you get +3 imps for Team A. The outcome of the board should be based on this result with application of 'Benefit of Doubt'. The Benefit of Doubt could be at least 20% for the non-offending side, which is the standard approach. But if we look at scores at other tables, we see that the Benefit of Doubt for Team B could be even bigger.
- A.** Team A is at fault. The standard Benefit of Doubt leads to +2 imps for Team A. We can also give +1 or 0 imps.
- B.** Due to the TD's error, we treat both teams as non-offending sides. We can apply the Benefit of Doubt to both teams separately. We get +4 imps for Team A, and -2 imps for Team B. Other possibilities: +4/-1, +4/0, +3/-1, +3/0.
- C.** +4/-2 leads to the outcome:  $(+4 + -2)/2 = +1$  imp for Team A. +4/+2 leads to a push. The final result is: 33:31 (or 32:31).
- D.** No.
- 15.** Pair 34: **31 MP, 62%**; Pair 37: **20.5 MP, 41%**  
Pair 43: **10 MP, 20%**; Pair 50: **15.5 MP, 31%**

Frequency for NS				Frequency for EW				Final MP		
Score	Freq	NS	EW	Score	Freq	NS	EW	Score	NS	EW
1370	1	50	0	1370	1	50	0	1370	50	0
850	2	47	3	850	2	47	3	850	47	3
680	5	40	10	680	5.5	39.5	10.5	680	40	10.5
650	4	31	19	650	4.5	29.5	20.5	650	31	20.5
620	1	26	24	620	1	24	26	620	26	26
500	5	20	30	500	5	18	32	500	20	32
300	5	10	40	300	4	9	41	300	10	41
-100	2	3	47	-100	2	3	47	-100	3	47
-200	1	0	50	-200	1	0	50	-200	0	50

Top = 50

NS: 10

WE:  $0.5 \times 10.5 + 0.5 \times 20.5 = 5.25 + 10.25 = 15.5$

